

APPLICATIONS

- School and corporate audio visual sound reinforcement
- Background music/announcement: Restaurants, Pubs
- Transportation terminals, Clubs, Auditorium, Theatres, Gyms, Houses of worship
- Ideal for both live applications, assisted by the CLA 208SA active subwoofer, as well as for fixed installation

FEATURES

- 2 way bi-amplified line array column
- Extruded-aluminum powder coated cabinet
- High level sound quality
- Long distance sound projection
- 6 x 4" custom woofer with 1" voice coil
- 4 x 1" neodymium dome tweeter on waveguide
- Class D 400W RMS amplifier for LF
- 100W RMS for HF with switch mode power supply
- DSP processor with 4 presets
- 100°H x 20°V dispersion
- Completely Manufactured in Italy



<https://muzcentre.ru>



PRODUCT DESCRIPTION

The FBT VERTUS CLA 604A two-way bi-amplified speaker system incorporates 6 x 4" custom woofer with 1" voice coil and 4 x 1" neodymium dome tweeter on waveguide. The internal Class D amplification, 400W for woofers, 100W for tweeters and DSP processor with 4 equalization presets provide unexpected dynamics in a system of these dimensions. The FBT VERTUS CLA 604A shall meet the following performance criteria: frequency response of 130Hz to 20kHz, maximum SPL of 125dB. The FBT VERTUS CLA 604A provides a DSP with 4 EQ presets. The FBT VERTUS CLA 604A feature an extruded aluminum construction and the front shall be protected by a heavy duty metal grille. The control panel provides volume, preset, HP filter, sources switch, 3 status led (on, peak, prt/limit), XLR input and Neutrik Powercon supply input at the lower part of the column and XLR link and Neutrik Powercon loop out at the higher part. Superior as well as inferior latching system, enables the extension of the length of the line array adding CLA 604A modules for a greater modularity of the system and possibility to angle the columns of $\pm 30^\circ$ on the horizontal plane. The rapid latching system with pins allows for the expansion of the system, doubling-up CLA 208 SA modules to form a unified column with an absolute and coherent source integration.

ELECTRICAL PERFORMANCE

System Type	2 way bi- amplified
Built-in Amplifiers LF / HF *	cont.: 350W RMS / 80W RMS max.: 400W RMS / 100W RMS peak.: 800W / 200W
Frequency Response @ -6dB	130Hz - 20kHz
Input Impedance	22kOhm
Maximum SPL (cont. / peak) **	122dB / 125dB
Dispersion	100° H x 20° V
Crossover Frequency	2.5 kHz
AC Power requirement	450 VA

PHYSICAL

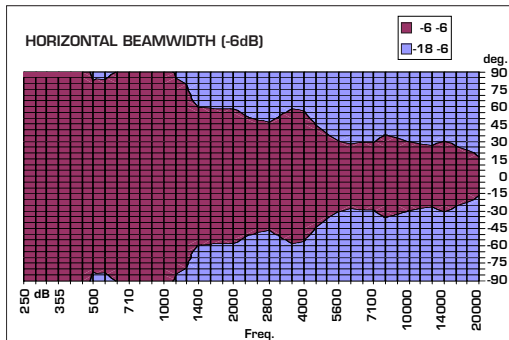
Low Frequency Woofer	6 x 4" - 1" coil
High Frequency Driver	4 x 1" - 1" coil
Input Connectors	XLR with loop
Net Dimensions (WxHxD)	5.12" x 33.1" x 5.12" 130 x 841 x 130mm
Shipping Dimensions (WxHxD)	8.66" x 36.61" x 8.66" 220 x 930 x 220mm
Net Weight	19.84 lbs / 9 kg
Shipping Weight	25.35 lbs / 11.5 kg
Enclosure Material	aluminum
Power cord	16.4 inch / 5 mt.

* CONT.: 500mS, rms power on nominal speaker impedance
MAX.: 2mS burst, rms power on nominal speaker impedance
MAX PEAK: based on max peak output voltage and nominal speaker impedance

** CONT. SPL: free space, based on continuous power amp rating and LF transducer average sensitivity data, 125mS time average
PEAK SPL: free space, based on max peak power amp rating and system peak sensitivity, 10mS time average

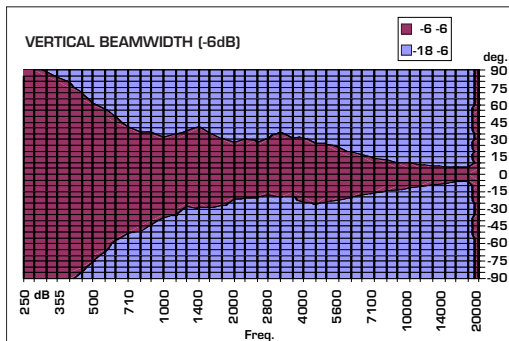
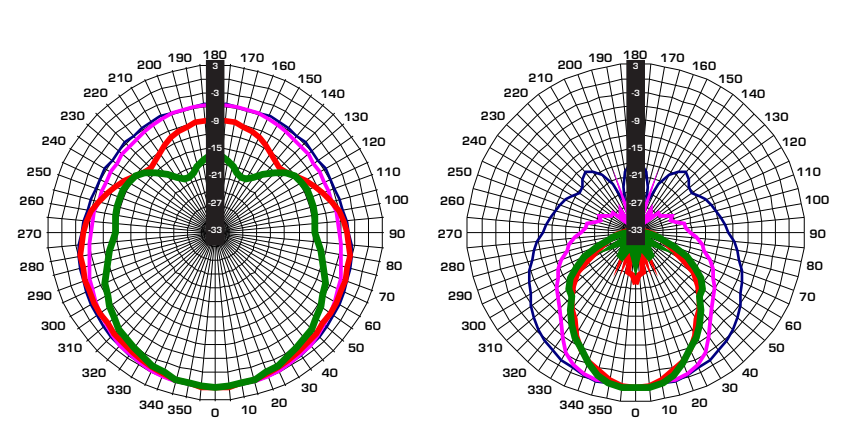


DIAGRAMS



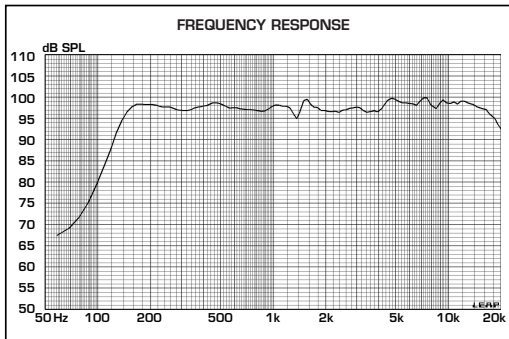
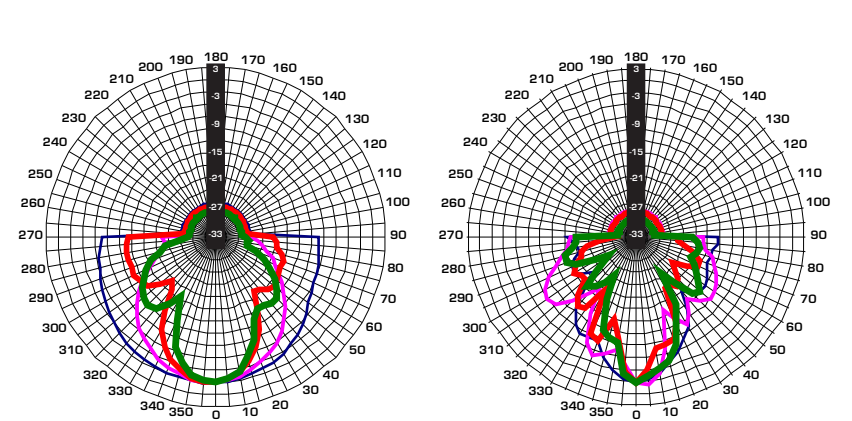
HORIZONTAL POLAR DIAGRAM

Legend: 250 (blue), 500 (magenta), 1000 (red), 2000 (green), 4000 (dark blue), 8000 (cyan), 12500 (orange), 16000 (dark green)



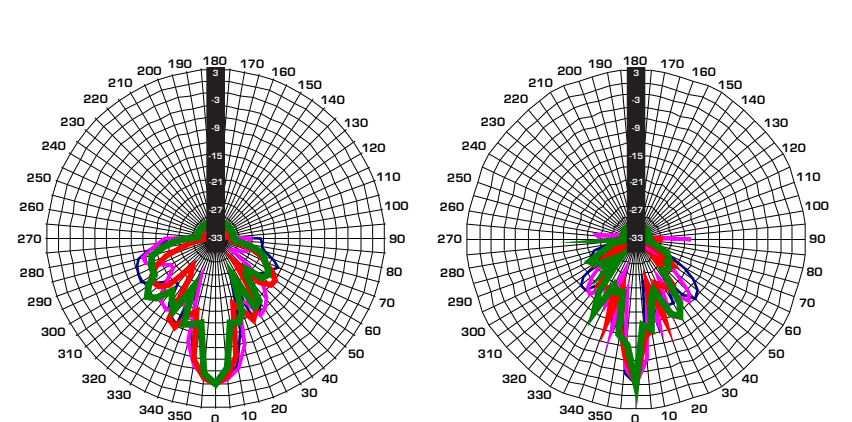
VERTICAL POLAR DIAGRAM

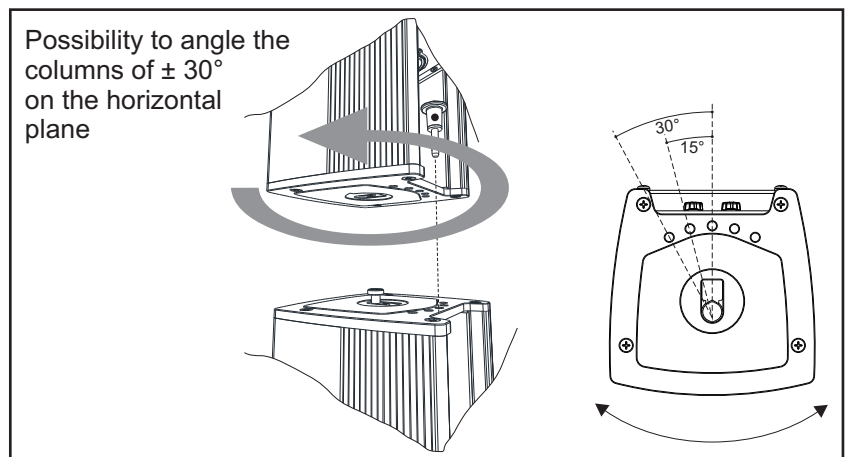
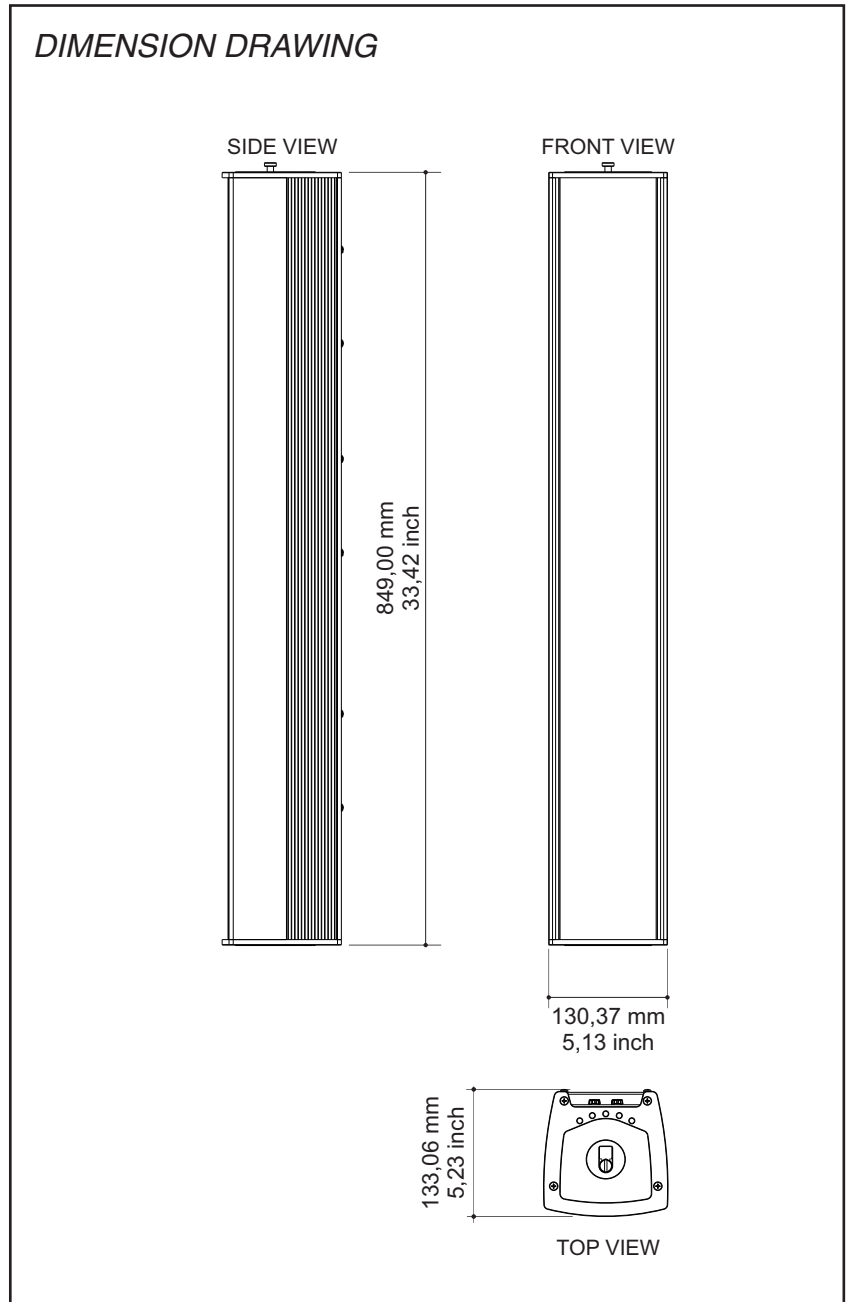
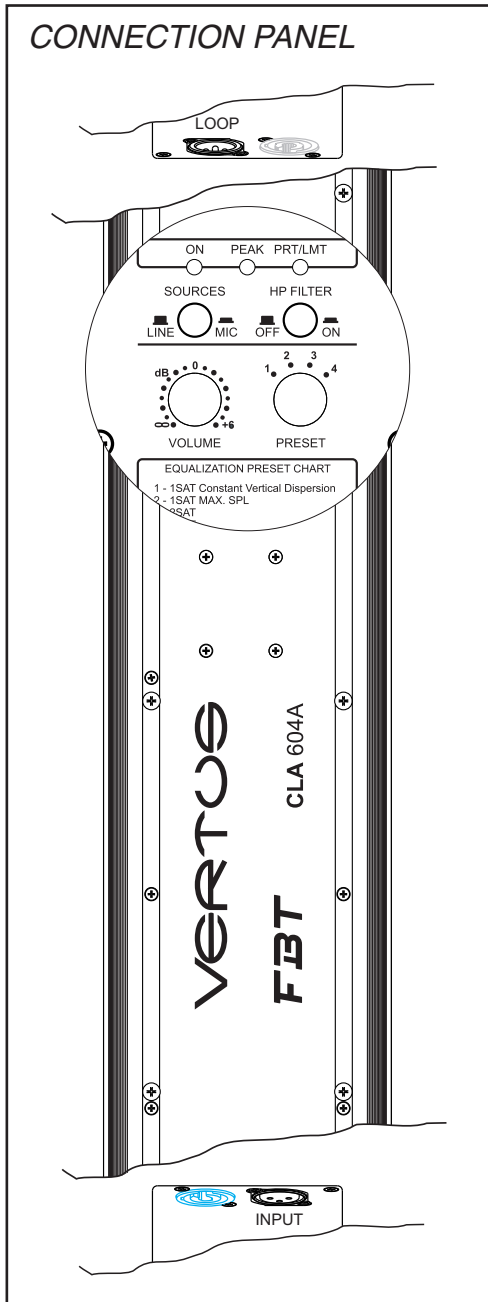
Legend: 250 (blue), 500 (magenta), 1000 (red), 2000 (green), 1400 (dark blue), 2000 (cyan), 2500 (orange), 3150 (dark green)



VERTICAL POLAR DIAGRAM

Legend: 4000 (blue), 5000 (magenta), 6300 (red), 8000 (green), 9000 (dark blue), 10000 (cyan), 12500 (orange), 14000 (dark green)





ACCESSORIES

